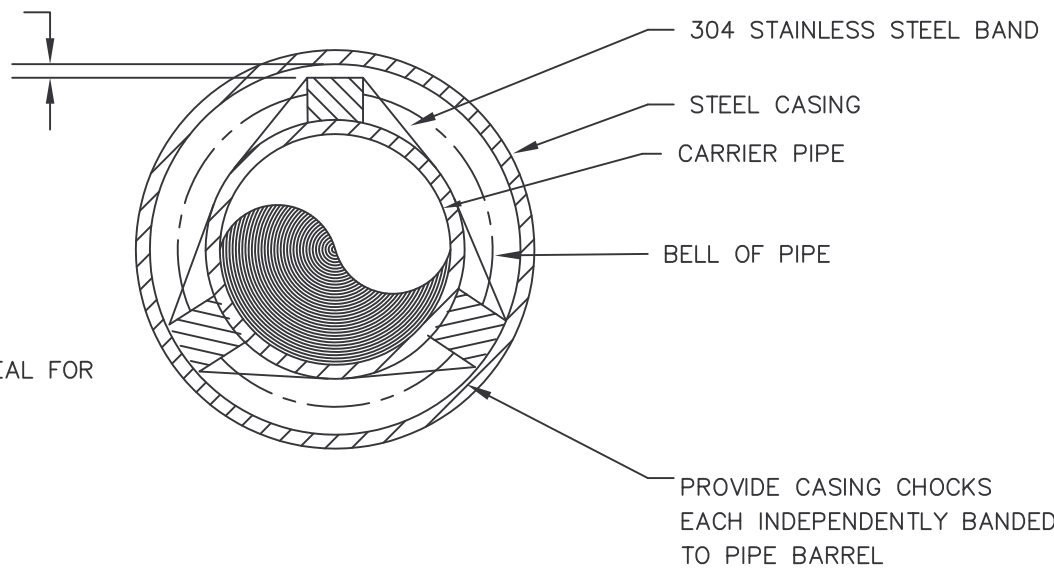
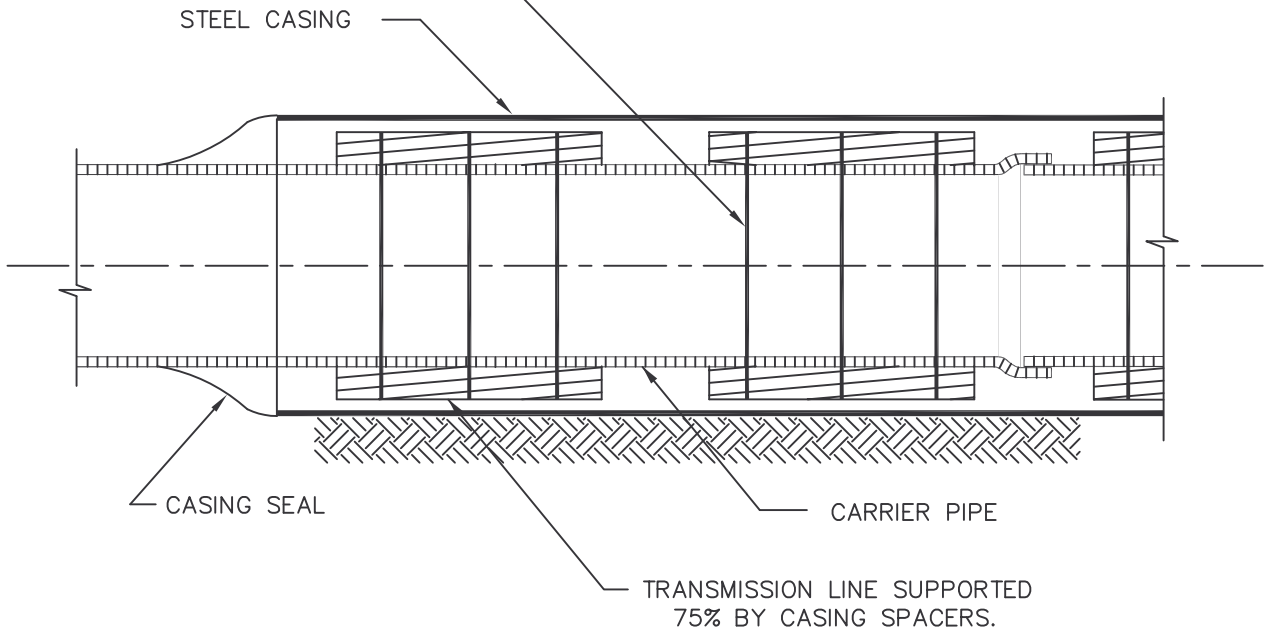


1/2" MAXIMUM



NOTE:
PROVIDE CAP OR SEAL FOR
OPEN END OF CAP.

0.015 304 STAINLESS STEEL STRAPS
(TO BE USED WITH REDWOOD SKIDS)



NOTE: CASING SPACERS MAY BE EITHER REDWOOD OR STAINLESS
STEEL PIPE INSULATORS WITH POLYMER RUNNERS.

STANDARD PIPE CASING / NON-RESTRAINED JOINTS



CLIFTON SANITATION
DISTRICT

GENERAL UTILITY
DETAIL

APPROVED: DN
DATE: FEB. 2005
DRAWN: TCP/DPW

PAGE
GU-06